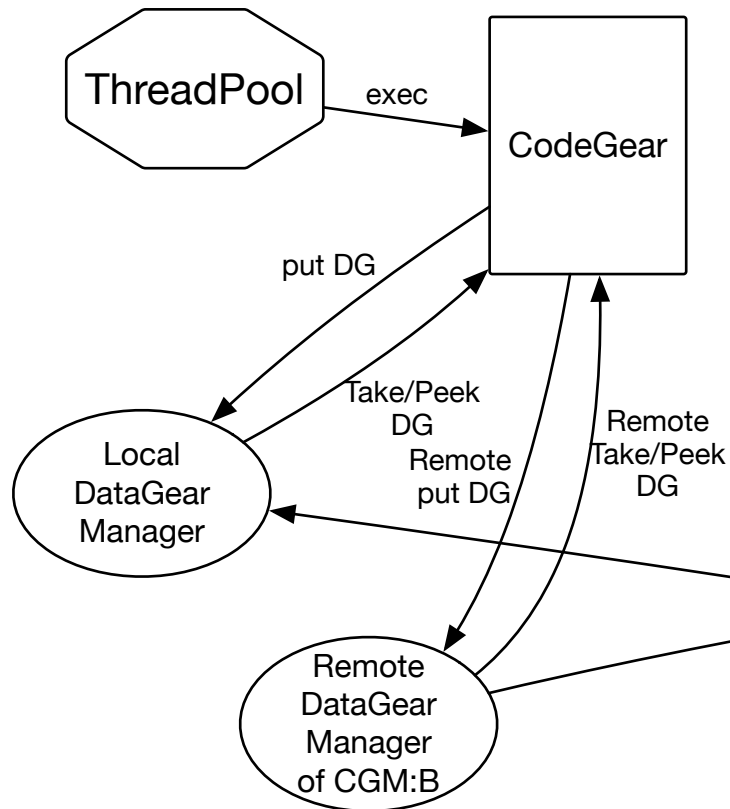
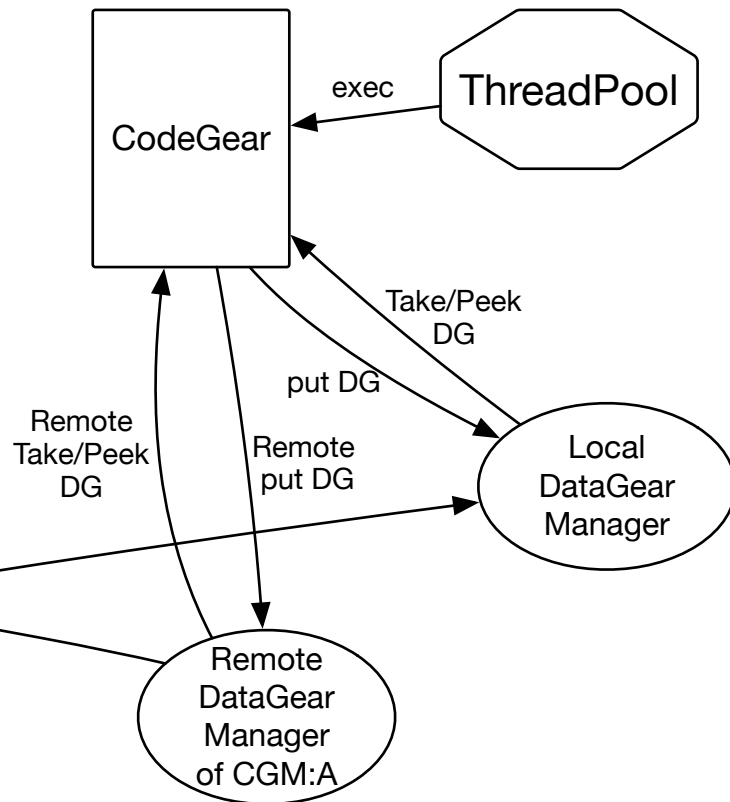


CodeGearManager:A



CodeGearManager:B



Connected by
TopologyManager

Reflect changes
of RDGM